

SOLTEX

RETRACTABLE SUN AND RAIN CONTROL

MICROSUN

.....
enduring design
timeless enjoyment
.....

issey microsun

Small Skylight System

Natural light cascading in from skylights creates a welcoming ambience in any home. However, its constant presence can cause problems when heat, glare and UV rays are admitted, or when you require the room to be darkened. The Issey Microsun is an ideal internal or external shade system for smaller skylights.

.....
Sitting internally, the blind can stop light, glare and damaging UV rays; while sitting externally, the Microsun can also protect from heat gain. The skylight system is tensioned to prevent sagging of the fabric and to ensure smooth operation. Its compact construction enables the system to blend seamlessly with its surrounding architecture, and its colour versatility gives you the design opportunity to make it an eye-catching feature.



SOLTEX

RETRACTABLE SUN AND RAIN CONTROL

SPECIALIST DEALER

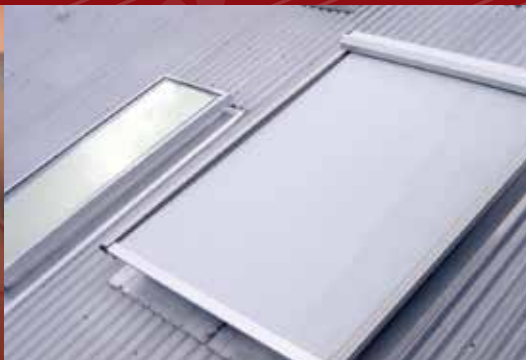
Soltex Retractable Shading and All-Weather Systems is a Specialist Dealer of Issey Sun Shading Solutions.

For further information, pricing or technical documentation please contact Soltex on 1300 765 839 or info@soltex.com.au

issey microsun

Externally, the Microsun effectively reflects heat from entering into small skylights and is retractable to take advantage of winter warmth and natural light. It can be fitted internally when an external fitting is not suitable. The range of headbox sizes and the choice of guide systems allows for use over multiple applications such as:

- Small Skylights
- Presentation Rooms
- Conference Rooms



Fabric

A wide choice of fabric is available to suit your unique situation.

- Screen 86% / 90% / 92% / 93% - When you have a beautiful view, selecting screen fabric will ensure the majority of heat, glare & UV are prevented while the view is maintained.

Tracks

Extruded aluminium track 50 (w) x 28 (h) incorporates tension system

Operation

The ability to retract the blinds gives you the power to control when and how much shade is required:

- **Motorised** - Somfy tubular motors that can be hardwired to a switch or operated via remote control
- **Automatic Sensors** - For enhancement of lifestyle, choose an automatic sun & wind sensor that automatically extends or retracts the systems according to the day's conditions
- **BMS** - Easily integrates with Building Management Systems for convenient and versatile control

Framework

Aluminium frames
Galvanised fabric tube

Fasteners

Stainless steel Bolts, Nuts and Screws

Frame Finish

Powdercoating (All Standard Dulux and Interpon colours)
Anodising (All Standard Colours) Extrusions only

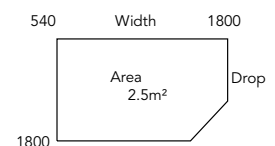
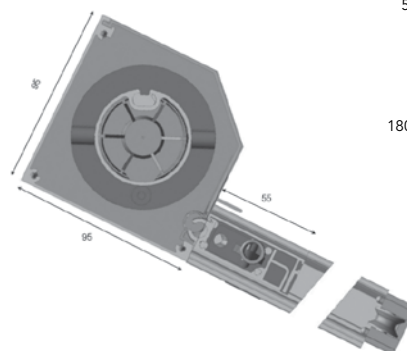
Installation Methods

Each situation is unique and requires different methods of installation. Issey's own installers will create the most suitable method for your application.

Headbox Sizes & Size Limits

Slimline, powdercoated headbox that blends with any application

HEADBOX 95



SPECIALIST DEALER

Soltex Retractable Shading and All-Weather Systems is a Specialist Dealer of Issey Sun Shading Solutions.

For further information, pricing or technical documentation please contact Soltex on 1300 765 839 or info@soltex.com.au