

SOLT^{EX}

RETRACTABLE SHADE & ALL-WEATHER SYSTEMS



5 YEAR WARRANTY

Sundance Folding Arm Awning

Effortless shade on demand

With its sleek design and smooth, reliable motorised or manual retraction system, the Sundance by Soltex is the ultimate retractable folding arm awning. Perfect for those who enjoy outdoor living, the Sundance provides effective temporary external shading for those times when the heat of the sun is at its peak.

The Sundance creates a cool and shady outdoor entertainment area in minutes which provides protection from intense heat, glare and harmful UV rays of the sun. The Soltex Sundance folding arm awning stylishly extends your living area by acting as a retractable, fabric roof. Its slimline headbox gives the awning a neat, compact appearance when retracted and the reliability and durability of the Sunshade ensures you will make the most of your outdoor space for many years to come.

Extend the Sundance out from glass windows and doors to protect indoor spaces from the glare and heat of the outdoors. By helping to keep interiors cool you can reduce your reliance on airconditioning.

SPECIFICATIONS



Maximum Sizes

8000mm x 3500mm*
16000mm x 3500mm coupled



Available Fabrics

Light Filtering Screen Fabrics
Acrylic Canvas Fabrics & waterproof options



Available Colours

Over 100 Standard and custom colours available including anodising



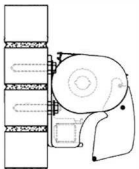
Applications

Courtyards - Balconies - Alfresco Areas
Pool Areas - Outdoor Dining - Restaurants

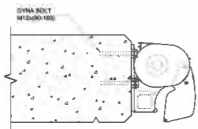
Shade when you need it, sun when you want it

INSTALLATION OPTIONS

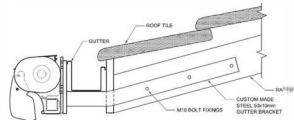
Install as a stand-alone frame or build in to a pre-existing or custom structure.



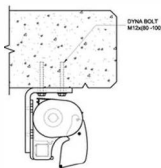
Face Fit to Brick Wall



Concrete Slab Face Fit

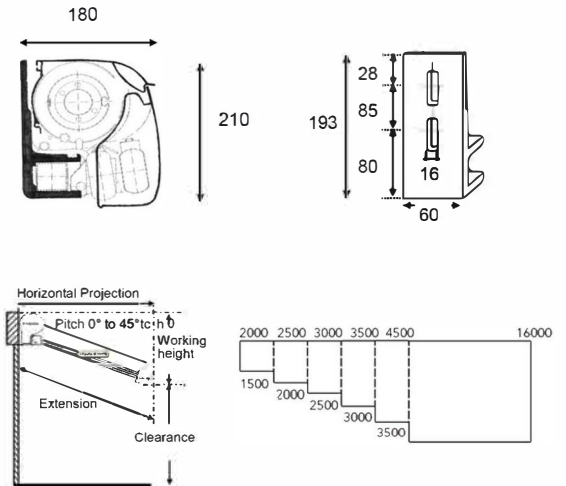


Custom Gutter Bracket



Concrete Slab Undermount

SPECS



FEATURES

With its robust arms and heavy duty construction, the Sundance is an awning designed to withstand even the highest winds



Protected Stainless Steel Cable in Arms



Choose from hundreds of colours



Optional Anodised Surface Treatment



High Quality Aluminium Extrusions



Optional Auto Rain Sensor



Optional Wireless Wind Sensor Device

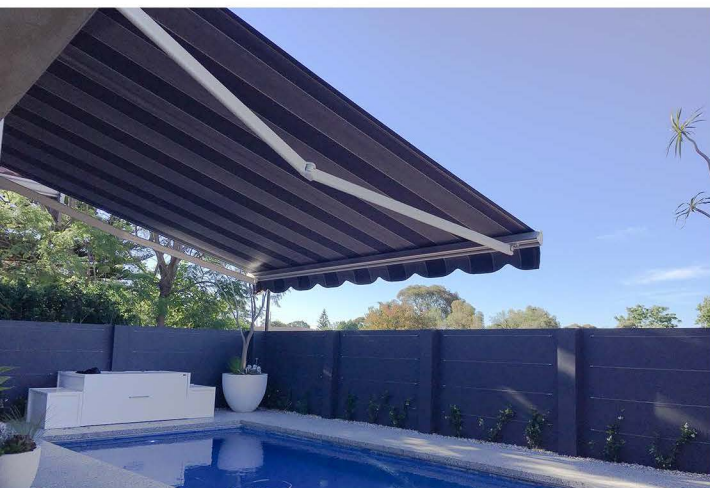
CONTROLS

The range of controls come with several functions including timers, individual or multi-device operation or app and voice control.



Hand-Held Remotes and wireless wall switches

Control via smartphone or by using your voice



Speak with an expert or contact us to arrange a free in-home consultation.

Soltex Retractable Shading & All-Weather Systems

7/71 Albert Street
Osborne Park, WA 6017
1300 765 839
info@soltex.com.au
www.soltex.com.au